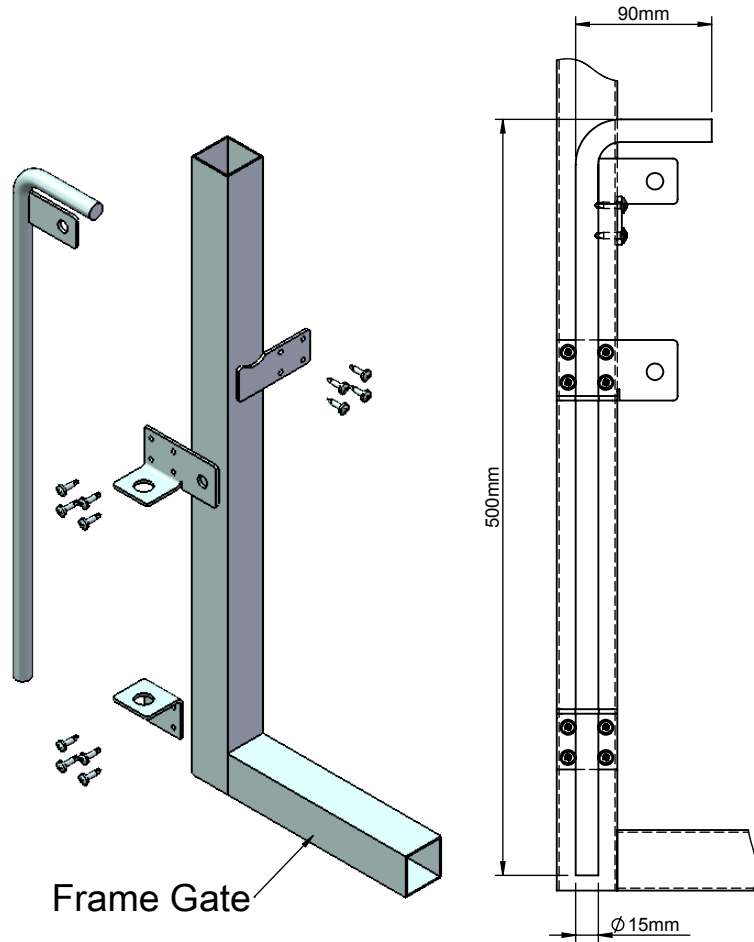


SPECIFICATION:

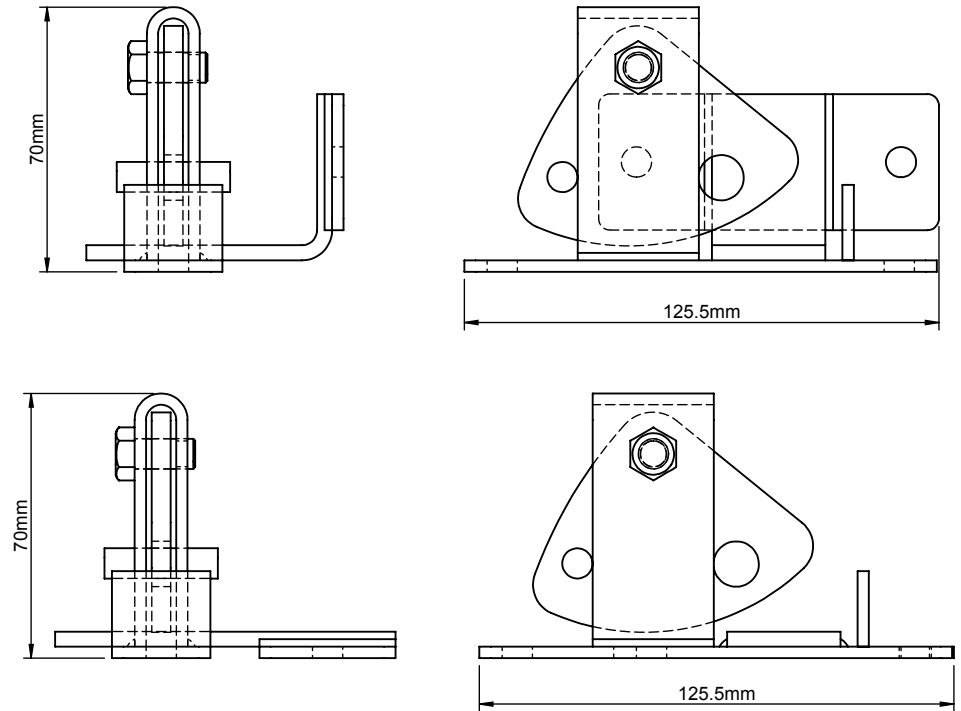
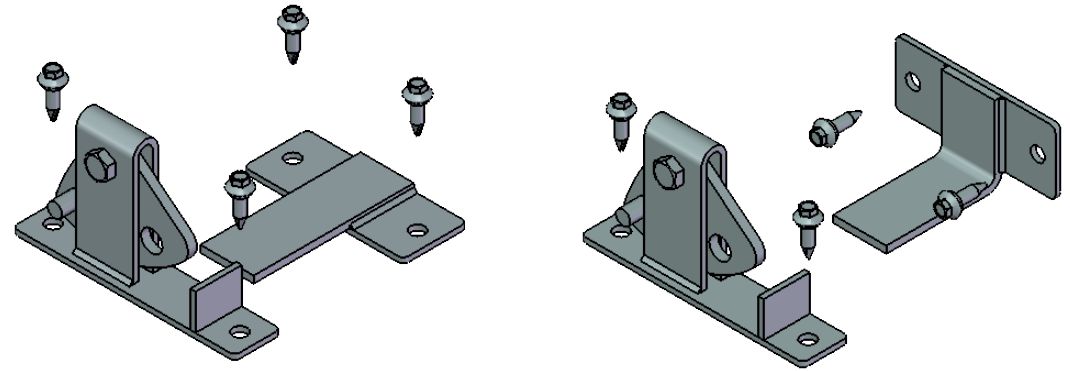
- SOLID ROUND STEEL : $\varnothing 8\text{mm}$, $\varnothing 15\text{mm}$ SOLID BAR
- SHEET STEEL : 3mm, 4mm; 5mm STEEL
- ACCESSORIES : BOLT M8, TEK SCREW M5, SELF DRILLING SCREWS $\varnothing 4.2$.

FINISH SPECIFICATION:

- FULLY EZP (8–12 μm THK)
- POWDER COATING : BLACK / SMOOTH / MATTE 25+-5/RAL 9005 (60–80 μm THK)



Driveway Gate Drop Bolt



Gate Latch (Multi purpose)