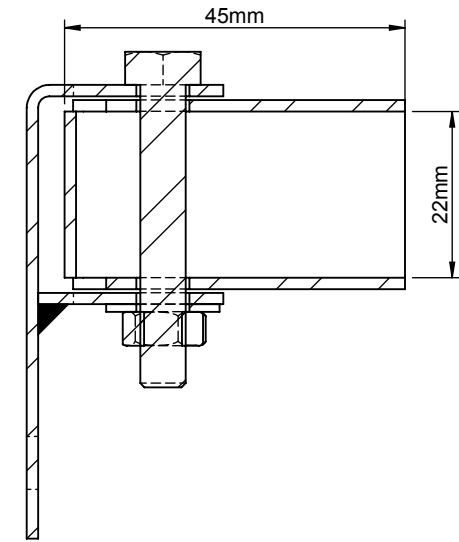
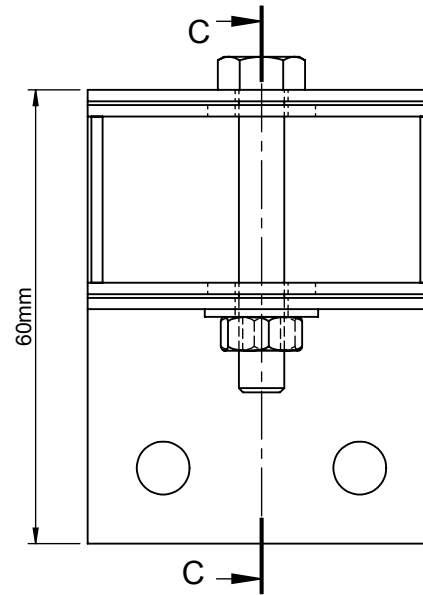
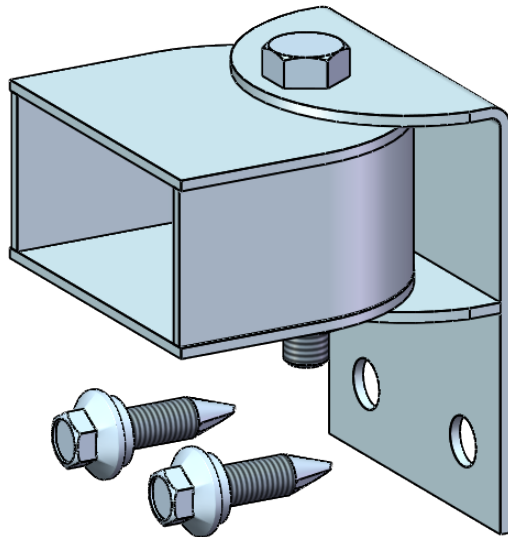


**SPECIFICATION:**

- SHEET STEEL : 1.5mm STEEL
- ACCESSORIES : BOLT-NUT-WASHER M6, TEK SCREW M5,

**FINISH SPECIFICATION:**

- FULLY EZP (8-12 µm THK)
- POWDER COATING : BLACK / SMOOTH / MATTE 25+-5/RAL 9005 (60-80 µm THK)



SECTION C-C

