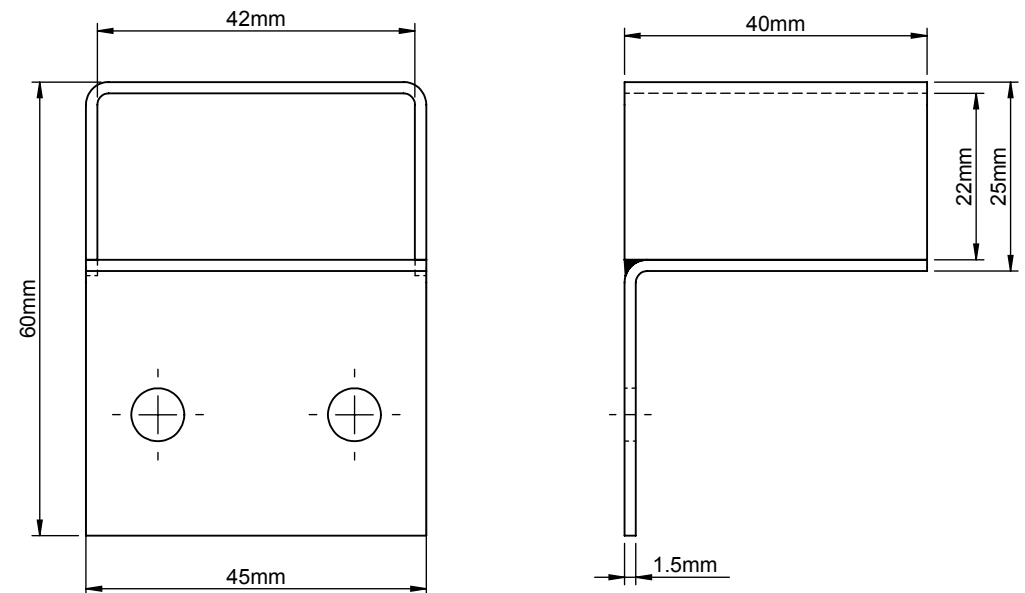
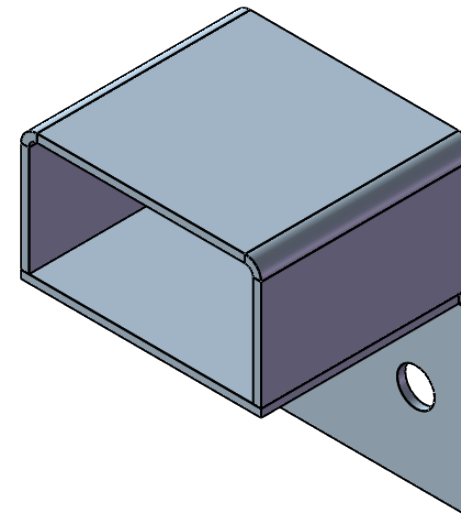
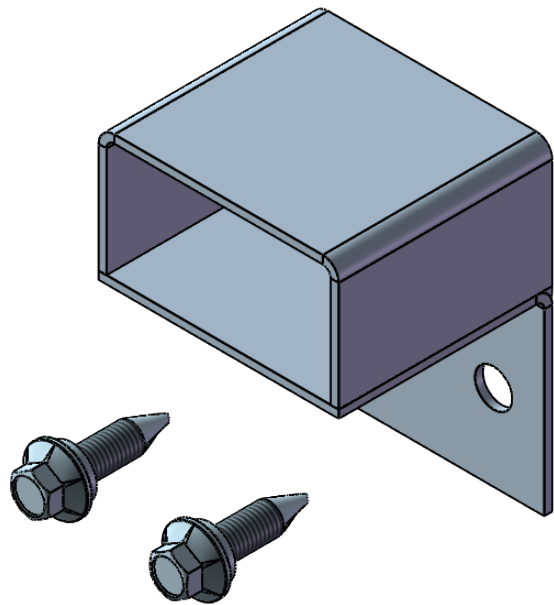


SPECIFICATION:

- SHEET STEEL : 1.5mm STEEL
- ACCESSORIES : TEK SCREW M5,

FINISH SPECIFICATION:

- FULLY EZP (8→12 µm THK)
- POWDER COATING : BLACK / SMOOTH / MATTE 25+-5/RAL 9005 (60→80 µm THK)



Masterworks Gates

www.masterworksgates.com.au

Title: Fence Bracket : Style #1-to suit 40mm x 20mm Rails